

MSI410

Mariner Kit for use with the HP EliteDisplay E271i 27-inch widescreen IPS LED backlit monitor (Desk mount)



The HP EliteDisplay E271i 27-inch widescreen IPS LED backlit monitor is type-approved by all of the major international marine Classification Societies when it is installed in conjunction with our Mariner Kit MSI410.

The MSI410 Mariner Kit is designed to fit onto any horizontal surface and affords protection against the effects of vibration and shock experienced in the offshore marine environment. The combination has been type-tested against IACS Unified Requirement E10 and the relevant sections of IEC60945 (see below right for test details).

This type-approved combination of hardware and Mariner Kit can be used as the platform for your critical navigation, control, loading and general purpose applications (please check individual type-approval certificates for any restrictions).

Please note that although the monitor does retain its standard functionality we do not offer an automatic dimming function and it can not therefore be used in the front of the bridge where it may affect night vision. However, the monitor can be used in any area where night vision is not an issue.

**“Steer the right course
with Mariner Systems”**



KEY FEATURES OF THE HP ELITEDISPLAY E271I 27-INCH IPS LED BACKLIT MONITOR:

- ◆ Get great 178-degree viewing angles and stunning colour integrity from In-Plane Switching (IPS) technology
- ◆ Get crisp, clear content and video from the high contrast ratio and fast response time
- ◆ Easily connect devices with convenient VGA, DVI and DisplayPort inputs and the integrated USB hub
- ◆ Reduce power consumption and help lower your costs with an intelligent, energy efficient design that is ENERGY STAR® qualified, EPEAT® Gold registered and TCO 6.0 certified
- ◆ Help decrease your eco-footprint with mercury-free LED display backlighting, a low-halogen design and arsenic-free display glass
- ◆ Native 1920 x 1080 resolution with over 16 million colours
- ◆ 178 degree wide viewing angle, 250 cd/m² brightness, 5,000,000:1 dynamic contrast ratio and fast 7 ms response times for precise views
- ◆ The on-screen display button controls on the monitor front allows quick and easy adjustment of brightness, contrast and numerous other settings
- ◆ Display Assistant for resizable screen partitions, custom picture quality, theft deterrence, and energy savings enablement
- ◆ 98.5% of the monitor is recyclable when properly disposed of at end of life
- ◆ Three-year limited parts and repair labour on-site warranty

This Mariner system is type-tested against the consolidated, 'worst-case' requirements of all the major international marine Classification Societies:

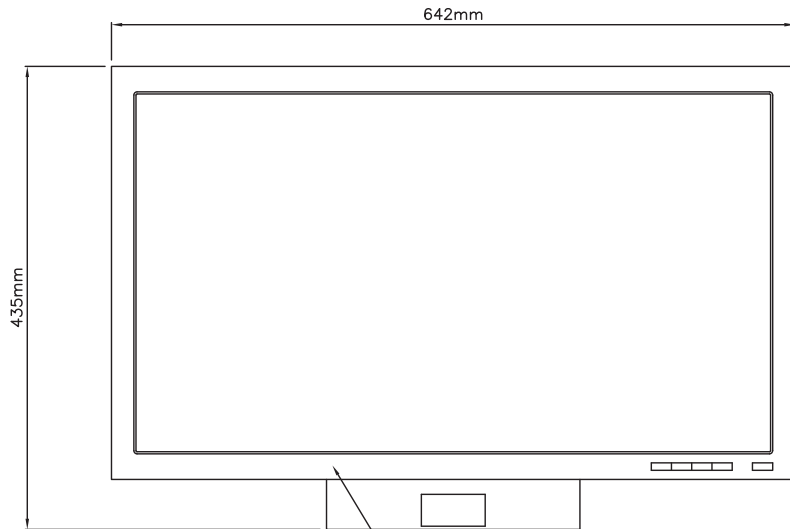
ABS, BV, CCS, DNV, GL, KR, LR, NKK, PRS, RINA

Type-tests included on the test programme are as follows:

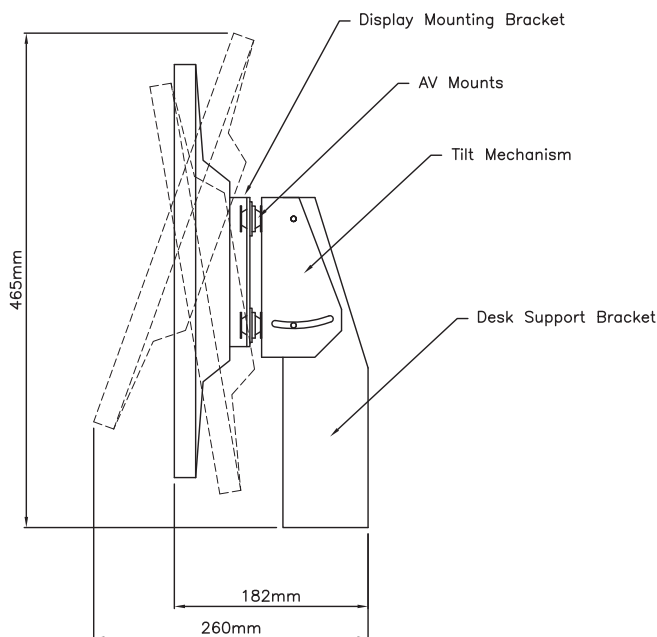
- > Vibration, Shock, Static and Dynamic Inclination
- > Dry & Damp Heat, Low Temperature
- > Acoustic Noise, Compass Safe Distance
- > High Voltage, Power Supply Variation & Power Supply Failure
- > Conducted LF & RF, Electromagnetic Field
- > Radiated & Conducted Emissions, Electrostatic Discharge
- > Insulation Resistance, Burst / Fast Transients
- > Surge Immunity, Access to Dangerous Voltages

MSI410

Mariner Kit for use with the HP EliteDisplay E271i
27-inch widescreen IPS LED backlit monitor
(Desk mount)



HP EliteDisplay E271i 27" LCD Monitor



Mariner Systems (UK) Limited

Oaklands Park • Wokingham • Berkshire • RG41 2FD • United Kingdom
 Telephone: +44 (0) 118 979 6020 • Facsimile: +44 (0) 118 979 6021
 sales@marinersystems.com • www.marinersystems.com

OPERATING GUIDELINES:

Although all our equipment is tested against extreme environmental conditions for the purposes of marine type-approval, installation should take into account the following guidelines:

- > Keep the monitor away from excessive moisture, direct moisture and the extremes of heat and cold to ensure, where possible, that the unit is within the following operating/non-operating ranges:

	Operating	Non-operating
Temperature	+5° to +35°C (+41° to +95°F)	-20° to +60°C (-4° to +140°F)
Humidity	20% to 80% (non-condensing)	5% to 95% (38.7°C max wet-bulb)

- > Leave clearance on all vented sides of the monitor to permit the required airflow
- > Never restrict airflow into the monitor by blocking any vents or air intakes
- > If the monitor is to be operated within a separate enclosure, suitable ventilation should be provided

By following these guidelines you will maximise the life of your equipment and minimise service costs.

STATISTICS

Overall Fitted Dimensions (max)	642mm (w) x 435mm (h) x 260mm (d)
Weight (Mariner Kit only)	1.5 kg
Weight (including hardware)	6.3 kg
Type	IPS with LED backlight
Viewable Image Area (diagonal)	27.0 in (68.5 cm)
Active Area (w x h)	23.5 x 13.3 in (59.8 x 33.6 cm)
Aspect Ratio	16:9
Viewing Angle (typical)	Up to 178 degrees horizontal / 178 degrees vertical (10:1 minimum contrast ratio)
Brightness (typical)	250 nits (cd/m ²)
Static Contrast Ratio (typical)	1000:1
Dynamic Contrast Ratio (typical)	5,000,000:1
Response Rate (typical)	7 ms with overdrive (grey to grey)
Pixel Pitch	0.3114 mm
Backlight Lamp Life (to half brightness)	30,000 hours minimum
Buttons or Switches	Power on/off; 4-button OSD
Native Resolution	1920 x 1080 @ 60 Hz
Plug and Play	Yes
Input Connectors	VGA (analogue), DVI-D, DisplayPort 1.2 (HDCP support on DVI-D and DisplayPort)
USB	Integrated USB 2.0 hub with (2) Downstream and (1) Upstream ports
Input Power	100 - 240 VAC at 50 - 60 Hz
Typical Power Consumption	35W
Maximum Power Consumption	40W
Mariner Kit Tilt Range	10 degrees down; 20 degrees up

BASIC JAPAN

Basic Japan Co., Ltd. Sugunami Tokyo, Japan
 Phone: +81-3-5335-7651
 E-mail: mail@basicjp.com
 URL: www.basicjp.com

MSI415

Mariner Kit for use with the HP EliteDisplay E271i 27-inch widescreen IPS LED backlit monitor (Wall mount)



The HP EliteDisplay E271i 27-inch widescreen IPS LED backlit monitor is type-approved by all of the major international marine Classification Societies when it is installed in conjunction with our Mariner Kit MSI415.

The MSI415 Mariner Kit is designed to fit onto any vertical surface and affords protection against the effects of vibration and shock experienced in the offshore marine environment. The combination has been type-tested against IACS Unified Requirement E10 and the relevant sections of IEC60945 (see below right for test details).

This type-approved combination of hardware and Mariner Kit can be used as the platform for your critical navigation, control, loading and general purpose applications (please check individual type-approval certificates for any restrictions).

Please note that although the monitor does retain its standard functionality we do not offer an automatic dimming function and it can not therefore be used in the front of the bridge where it may affect night vision. However, the monitor can be used in any area where night vision is not an issue.

“Proven solutions for a demanding environment”



KEY FEATURES OF THE HP ELITEDISPLAY E271I 27-INCH IPS LED BACKLIT MONITOR:

- ◆ Get great 178-degree viewing angles and stunning colour integrity from In-Plane Switching (IPS) technology
- ◆ Get crisp, clear content and video from the high contrast ratio and fast response time
- ◆ Easily connect devices with convenient VGA, DVI and DisplayPort inputs and the integrated USB hub
- ◆ Reduce power consumption and help lower your costs with an intelligent, energy efficient design that is ENERGY STAR® qualified, EPEAT® Gold registered and TCO 6.0 certified
- ◆ Help decrease your eco-footprint with mercury-free LED display backlighting, a low-halogen design and arsenic-free display glass
- ◆ Native 1920 x 1080 resolution with over 16 million colours
- ◆ 178 degree wide viewing angle, 250 cd/m² brightness, 5,000,000:1 dynamic contrast ratio and fast 7 ms response times for precise views
- ◆ The on-screen display button controls on the monitor front allows quick and easy adjustment of brightness, contrast and numerous other settings
- ◆ Display Assistant for resizable screen partitions, custom picture quality, theft deterrence, and energy savings enablement
- ◆ 98.5% of the monitor is recyclable when properly disposed of at end of life
- ◆ Three-year limited parts and repair labour on-site warranty

This Mariner system is type-tested against the consolidated, 'worst-case' requirements of all the major international marine Classification Societies:

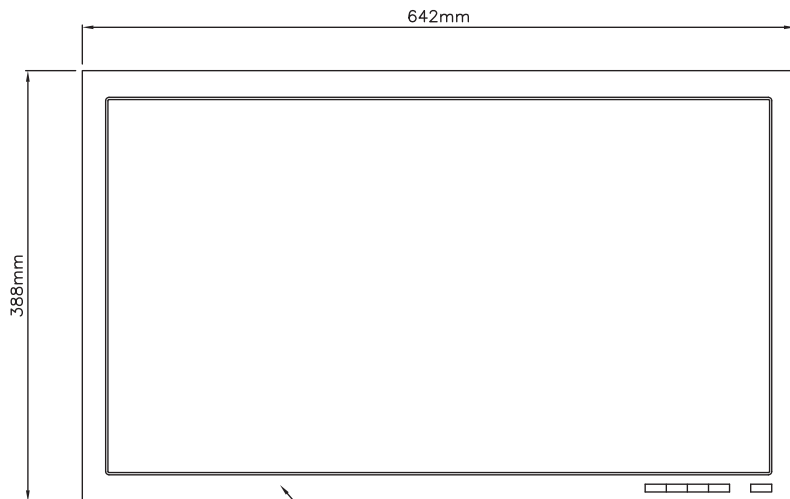
ABS, BV, CCS, DNV, GL, KR, LR, NKK, PRS, RINA

Type-tests included on the test programme are as follows:

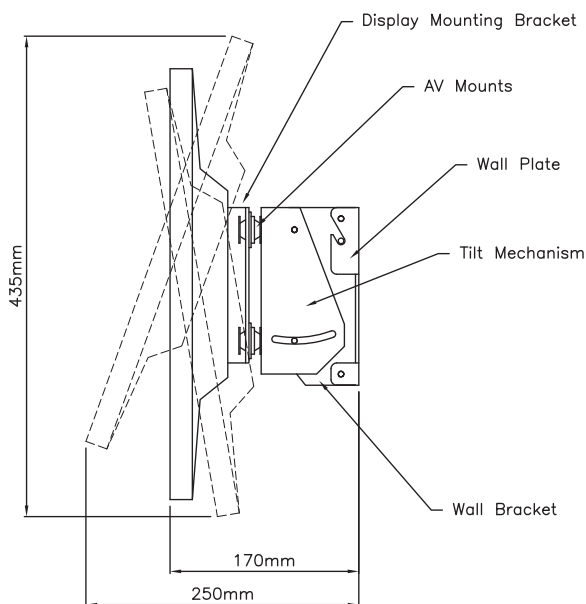
- > Vibration, Shock, Static and Dynamic Inclination
- > Dry & Damp Heat, Low Temperature
- > Acoustic Noise, Compass Safe Distance
- > High Voltage, Power Supply Variation & Power Supply Failure
- > Conducted LF & RF, Electromagnetic Field
- > Radiated & Conducted Emissions, Electrostatic Discharge
- > Insulation Resistance, Burst / Fast Transients
- > Surge Immunity, Access to Dangerous Voltages

MSI415

Mariner Kit for use with the HP EliteDisplay E271i 27-inch widescreen IPS LED backlit monitor (Wall mount)



HP EliteDisplay E271i 27" LCD Monitor



Mariner Systems (UK) Limited

Oaklands Park • Wokingham • Berkshire • RG41 2FD • United Kingdom
Telephone: +44 (0) 118 979 6020 • Facsimile: +44 (0) 118 979 6021
sales@marinersystems.com • www.marinersystems.com

OPERATING GUIDELINES:

Although all our equipment is tested against extreme environmental conditions for the purposes of marine type-approval, installation should take into account the following guidelines:

- > Keep the monitor away from excessive moisture, direct moisture and the extremes of heat and cold to ensure, where possible, that the unit is within the following operating/non-operating ranges

	Operating	Non-operating
Temperature	+5° to +35°C (+41° to +95°F)	-20° to +60°C (-4° to +140°F)
Humidity	20% to 80% (non-condensing)	5% to 95% (38.7°C max wet-bulb)

- > Leave clearance on all vented sides of the monitor to permit the required airflow
- > Never restrict airflow into the monitor by blocking any vents or air intakes
- > If the monitor is to be operated within a separate enclosure, suitable ventilation should be provided

By following these guidelines you will maximise the life of your equipment and minimise service costs.

STATISTICS

Overall Fitted Dimensions (max)	642mm (w) x 388mm (h) x 250mm (d)
Weight (Mariner Kit only)	1.3 kg
Weight (including hardware)	6.1 kg
Type	IPS with LED backlight
Viewable Image Area (diagonal)	27.0 in (68.5 cm)
Active Area (w x h)	23.5 x 13.3 in (59.8 x 33.6 cm)
Aspect Ratio	16:9
Viewing Angle (typical)	Up to 178 degrees horizontal / 178 degrees vertical (10:1 minimum contrast ratio)
Brightness (typical)	250 nits (cd/m ²)
Static Contrast Ratio (typical)	1000:1
Dynamic Contrast Ratio (typical)	5,000,000:1
Response Rate (typical)	7 ms with overdrive (grey to grey)
Pixel Pitch	0.3114 mm
Backlight Lamp Life (to half brightness)	30,000 hours minimum
Buttons or Switches	Power on/off; 4-button OSD
Native Resolution	1920 x 1080 @ 60 Hz
Plug and Play	Yes
Input Connectors	VGA (analogue), DVI-D, DisplayPort 1.2 (HDCP support on DVI-D and DisplayPort)
USB	Integrated USB 2.0 hub with (2) Downstream and (1) Upstream ports
Input Power	100 - 240 VAC at 50 - 60 Hz
Typical Power Consumption	35W
Maximum Power Consumption	40W
Mariner Kit Tilt Range	10 degrees down; 20 degrees up

BASIC JAPAN

Basic Japan Co., Ltd. Sugunami Tokyo, Japan
Phone: +81-3-5335-7651
E-mail: mail@basicjp.com
URL: www.basicjp.com

MSI420

Mariner Kit for use with the HP EliteDisplay E271i
27-inch widescreen IPS LED backlit monitor
(Console mount)



The HP EliteDisplay E271i 27-inch widescreen IPS LED backlit monitor is type-approved by all of the major international marine Classification Societies when it is installed in conjunction with our Mariner Kit MSI420.

The MSI420 Mariner Kit is designed to fit into a console cut-out and affords protection against the effects of vibration and shock experienced in the offshore marine environment. The combination has been type-tested against IACS Unified Requirement E10 and the relevant sections of IEC60945 (see below right for test details).

This type-approved combination of hardware and Mariner Kit can be used as the platform for your critical navigation, control, loading and general purpose applications (please check individual type-approval certificates for any restrictions).

Please note that although the monitor does retain its standard functionality we do not offer an automatic dimming function and it can not therefore be used in the front of the bridge where it may affect night vision. However, the monitor can be used in any area where night vision is not an issue.

“World leading type-approved computer hardware”



KEY FEATURES OF THE HP ELITEDISPLAY E271I 27-INCH IPS LED BACKLIT MONITOR:

- ◆ Get great 178-degree viewing angles and stunning colour integrity from In-Plane Switching (IPS) technology
- ◆ Get crisp, clear content and video from the high contrast ratio and fast response time
- ◆ Easily connect devices with convenient VGA, DVI and DisplayPort inputs and the integrated USB hub
- ◆ Reduce power consumption and help lower your costs with an intelligent, energy efficient design that is ENERGY STAR® qualified, EPEAT® Gold registered and TCO 6.0 certified
- ◆ Help decrease your eco-footprint with mercury-free LED display backlighting, a low-halogen design and arsenic-free display glass
- ◆ Native 1920 x 1080 resolution with over 16 million colours
- ◆ 178 degree wide viewing angle, 250 cd/m² brightness, 5,000,000:1 dynamic contrast ratio and fast 7 ms response times for precise views
- ◆ The on-screen display button controls on the monitor front allows quick and easy adjustment of brightness, contrast and numerous other settings
- ◆ Display Assistant for resizable screen partitions, custom picture quality, theft deterrence, and energy savings enablement
- ◆ 98.5% of the monitor is recyclable when properly disposed of at end of life
- ◆ Three-year limited parts and repair labour on-site warranty

This Mariner system is type-tested against the consolidated, 'worst-case' requirements of all the major international marine Classification Societies:

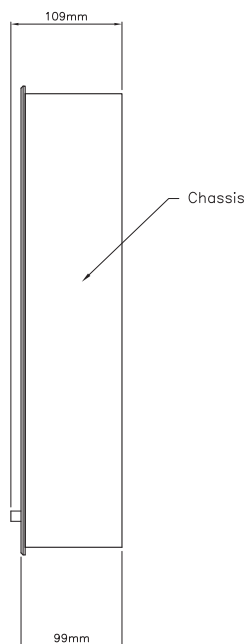
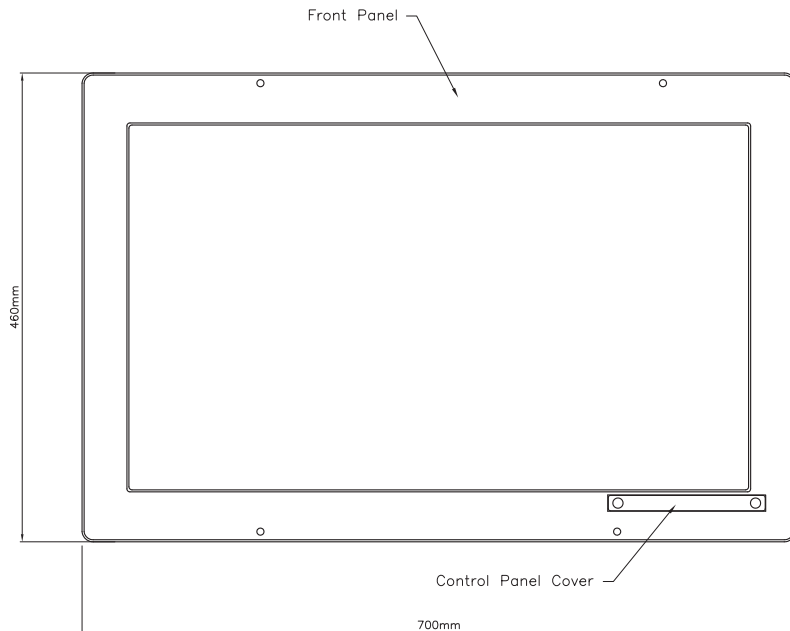
ABS, BV, CCS, DNV, GL, KR, LR, NKK, PRS, RINA

Type-tests included on the test programme are as follows:

- > Vibration, Shock, Static and Dynamic Inclination
- > Dry & Damp Heat, Low Temperature
- > Acoustic Noise, Compass Safe Distance
- > High Voltage, Power Supply Variation & Power Supply Failure
- > Conducted LF & RF, Electromagnetic Field
- > Radiated & Conducted Emissions, Electrostatic Discharge
- > Insulation Resistance, Burst / Fast Transients
- > Surge Immunity, Access to Dangerous Voltages

MSI420

Mariner Kit for use with the HP EliteDisplay E27ii 27-inch widescreen IPS LED backlit monitor (Console mount)



OPERATING GUIDELINES:

Although all our equipment is tested against extreme environmental conditions for the purposes of marine type-approval, installation should take into account the following guidelines:

- Keep the monitor away from excessive moisture, direct moisture and the extremes of heat and cold to ensure, where possible, that the unit is within the following operating/non-operating ranges:

	Operating	Non-operating
Temperature	+5° to +35°C (+41° to +95°F)	-20° to +60°C (-4° to +140°F)
Humidity	20% to 80% (non-condensing)	5% to 95% (38.7°C max wet-bulb)

- Leave clearance on all vented sides of the monitor to permit the required airflow
- Never restrict airflow into the monitor by blocking any vents or air intakes
- If the monitor is to be operated within a separate enclosure, suitable ventilation should be provided

By following these guidelines you will maximise the life of your equipment and minimise service costs.

STATISTICS

Overall Fitted Dimensions (max)	700mm (w) x 460mm (h) x 109mm (d)
Weight (Mariner Kit only)	8.6 kg
Weight (including hardware)	13.4 kg
Type	IPS with LED backlight
Viewable Image Area (diagonal)	27.0 in (68.5 cm)
Active Area (w x h)	23.5 x 13.3 in (59.8 x 33.6 cm)
Aspect Ratio	16:9
Viewing Angle (typical)	Up to 178 degrees horizontal / 178 degrees vertical (10:1 minimum contrast ratio)
Brightness (typical)	250 nits (cd/m²)
Static Contrast Ratio (typical)	1000:1
Dynamic Contrast Ratio (typical)	5,000,000:1
Response Rate (typical)	7 ms with overdrive (grey to grey)
Pixel Pitch	0.3114 mm
Backlight Lamp Life (to half brightness)	30,000 hours minimum
Buttons or Switches	Power on/off; 4-button OSD
Native Resolution	1920 x 1080 @ 60 Hz
Plug and Play	Yes
Input Connectors	VGA (analogue), DVI-D, DisplayPort 1.2 (HDCP support on DVI-D and DisplayPort)
USB	Integrated USB 2.0 hub with (2) Downstream and (1) Upstream ports
Input Power	100 - 240 VAC at 50 - 60 Hz
Typical Power Consumption	35W
Maximum Power Consumption	40W
Mariner Kit Tilt Range	Not applicable



Mariner Systems (UK) Limited

Oaklands Park • Wokingham • Berkshire • RG41 2FD • United Kingdom
Telephone: +44 (0) 118 979 6020 • Facsimile: +44 (0) 118 979 6021
sales@marinersystems.com • www.marinersystems.com

BASIC JAPAN

Basic Japan Co., Ltd. Sugunami Tokyo, Japan
Phone: +81-3-5335-7651
E-mail: mail@basicjp.com
URL: www.basicjp.com