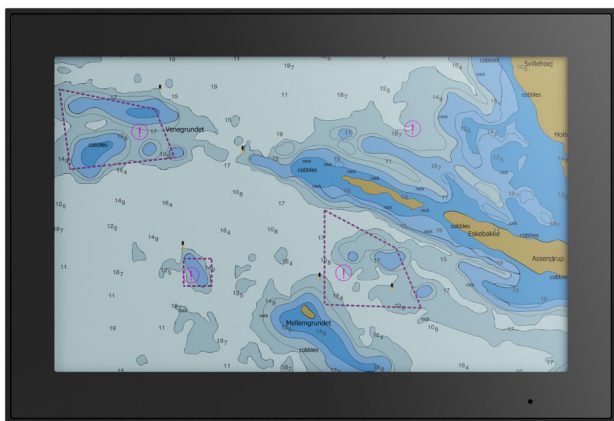


DuraPANEL 12.1" G-Line

Wide Screen Panel PC for Marine Applications



DuraPANEL 12.1" G-Line Panel PCは、ハードウェアに対して信頼性と耐久性が求められる、船舶・海軍等の用途用にデザインされました。

G-Lineプロダクトファミリーは、製品投入後の長い実績があり、P-CAP マルチタッチを備えた前面フルガラスを特徴とする製品群です。

 60945 Type Approval

Mechanical outline

DuraPANEL 12.1" G-Line - Drop-in

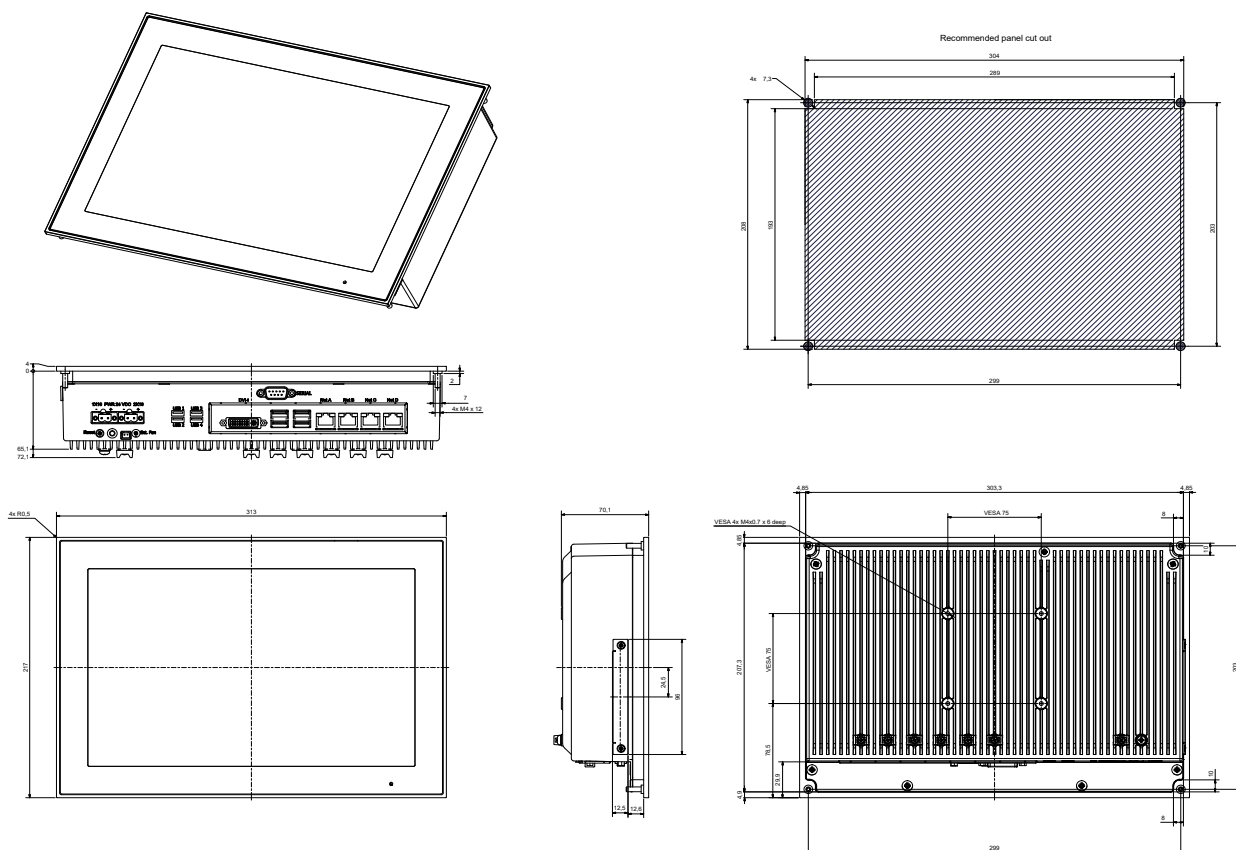


Table and wall brackets - ISIC PN 07244-000 & 07244-001

Changes may occur - for latest please contact sales@isic.dk

Specifications DuraPANEL 12.1" G-Line

Display properties

Size	12.1" wide screen
Aspect ratio	16:10
Active area	261.0 x 163.0 mm
Luminance	400 Cd/m ²
Contrast	1000:1
Native resolution	1280 x 800
View angle	88° (L/R/T/B) typical
Glass	Anti reflection coated front glass
Touch	P-Cap multi touch

Motherboard

Chipset	Intel® SoC solution
CPU	Celeron 2980U 1.6 GHz 2 cores, 2 threads
Watchdog timer	255 steps
HW monitoring	Temperature, Voltage and Fan
Wake-on-LAN	Yes
On board graphics	Intel® HD Graphics GT Series
Graphics supports	DirectX 11.1 Open GL 4.0 Open CL 1.2

Memory and Storage

Memory	Up to 16 GB DDR3L RAM, SODIMM
Storage	Up to 1.9 TB SSD, SATA2

Operator control interface & OSD

Dimming	DDC/CI internal DisplayPort
Display properties	DDC/CI internal DisplayPort

OS options

Windows 7	Windows 7
Windows 8	Windows 8
Windows 10	Windows 10 IoT
Linux	Ubuntu

Power supply/power consumption

DC Power	18 - 34 VDC Dual galvanic isolated
Consumption	20 W Typ. 25 W Max.

Input/output terminals

DVI-I output	1 x DVI-I
USB	4 x USB 3.0
RS serial port	1 x 9p D-sub female, 232/422/485
Ethernet	1 x Gbit LAN, Intel I218
Ethernet	3 x Gbit LAN, Intel I210AT
24 VDC output	Power for external fan
Audio Buzzer	1 x build-in audio buzzer (75-85 dB(A) / 1m)

Physical dimensions

Dimensions	313 (W) x 217 (H) x 72 (D) mm
Dimensions in box	460 (W) x 340 (H) x 140 (D) mm
Weight	4.0 kg 4.3 kg in box

Environmental

Operating temp.	- 15 to 55° C
Storage temp.	- 25 to 70° C
Humidity	8 to 95% relative humidity
Protection	IP56 from front - IP22 from rear
Compass SD	75 cm (stand.) 55 cm (steer.)

Options & accessories

TPM	Trusted Platform Module
External fan	75 x 75 mm fan
Flush mount	Alternative frame, see manual
Console	Alternative frame, see manual
Light sensor	Ambient light sensor - standard
Wall bracket	Wall mount VESA bracket (07244-001)
Table bracket	Table mount VESA bracket (07244-000)

Approvals & Certificates

CE	EN 61000-6-2 & EN 61000-6-4
Marine	IEC 60945 ed. 4 & IACS E10 rev. 8
Certificate	DNV Mutual Recognition

Basic Japan Co., Ltd. 2-42-26-S110 Amanuma, Suginami-ku
Tokyo, Japan, 167-0032
Phone: (+ 81) 3 5335 7651
mail@basicjp.com | <https://www.basicjp.com/>

ISIC A/S | Edwin Rahrs Vej 54 | 8220 Brabrand | Denmark
Phone: (+ 45) 70 20 70 77
isic@isic-systems.com | www.isic-systems.com

BASIC JAPAN

ISIC TRUSTED HARDWARE SYSTEMS