

38 MM LASER STAINLESS STEEL TRACKBALL UNIT

IP68 sealed



The TSX38F8 is a waterproof and vandalproof industrial trackball unit and uses the latest generation of laser trackballs. This trackball is highly suited for harsh industrial environments thanks to its robustness and ease of maintenance. It features a removable top ring facilitating the cleaning of ball and ball compartment for use in even the most dusty environments.

The use of stainless steel for the various parts ensures the best resistance in salty or greasy environments. Due to its outstanding sealing, its professional style and its industrial robustness, this trackball unit is the best suited pointing device for all harsh or hostile environments, indoor and outdoor.

This panel mount type is supplied with a silicone sponge seal ring for adequate sealing into the customers' panel or console. A cover plate on the rear side protects the components.

Fields of applications are very wide : public access- and information kiosks, internet- and entertainment terminals, navigation controls, food industry, processing industries and many others.

MAIN FEATURES

- 38 mm laser trackball - vandalproof
- IP68 sealed
- Removable top for easy cleaning of ball compartment
- Combo PS/2 & USB output

GENERAL TECHNICAL SPECIFICATIONS

Sealing	: IP68 waterproof
Carrier plate	: brushed stainless steel
Ball diameter	: 38 mm
Ball material	: polyester
Dimensions / weight	: 100 x 78 x 54 mm / 350 grams
Lifetime	: >= 2 million ball revolutions
Tracking force	: nom. 20 grams
Output	: PS/2 & USB Combo
Cable	: 1 shielded, straight 1,6 m long
Operating temperature range:	-10°C to +60°C
Storage temperature range	: -25°C to +80°C

<u>switches</u>	<u>short travel</u>
Sealing	IP68
Travel	0,5mm
Operating force	4N
Material	stainless steel
Mechanical life	3 million

CE

Compliant to EMC Directive 89/336/EEC for Electromagnetic Compatibility.
Low Voltage Directive 73/23/EEC not applicable for our trackballs.

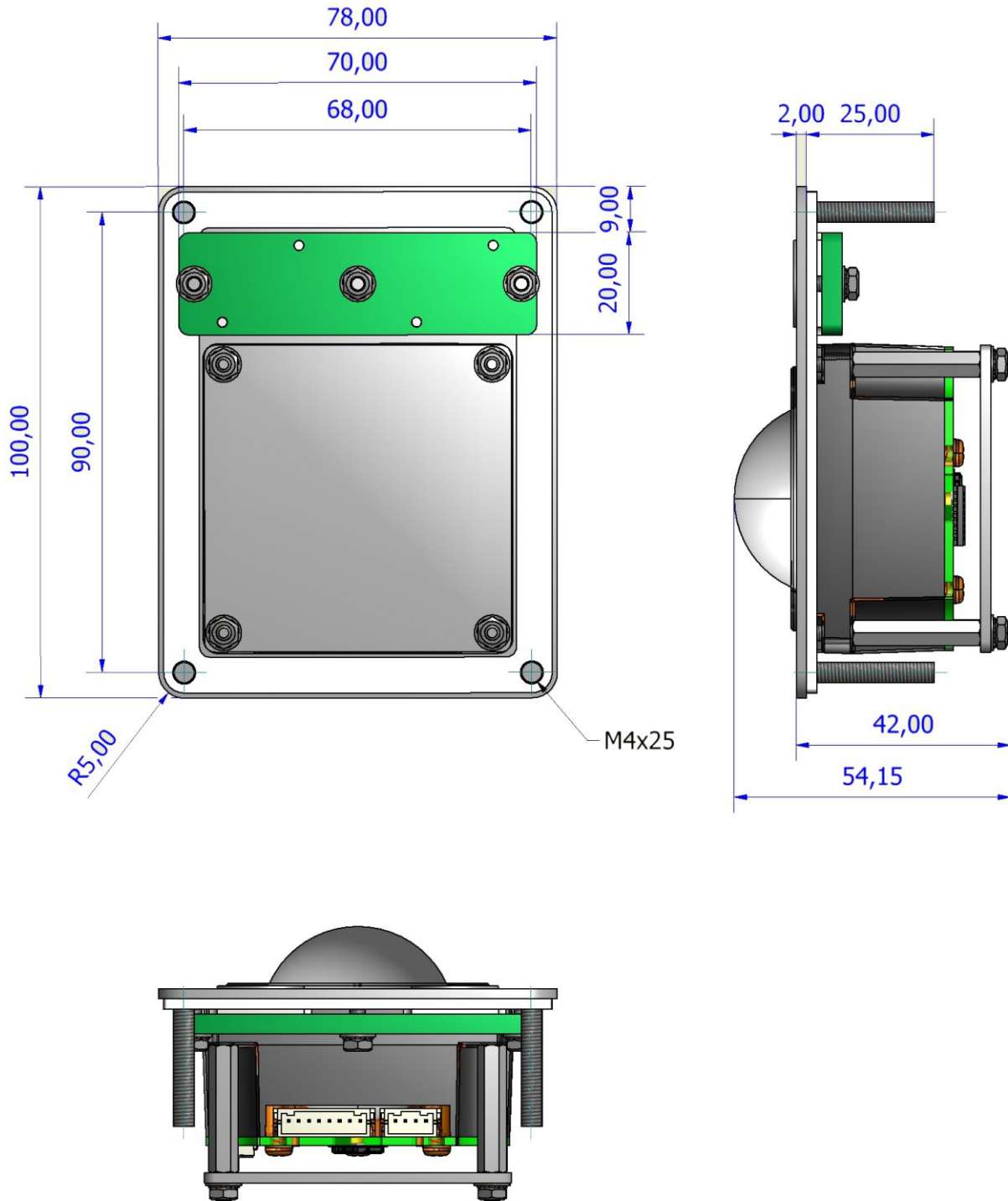
CONNECTIVITY

These combo PS/2 & USB trackball units have a 1,6 meter long shielded straight cable ended by a USB type A plug. An adaptor to PS/2 is added. No special device driver is needed, use standard available drivers of your operating system.

* Due to the increasing differences of the PS/2 mouse port specifications of the various PC manufacturers, we do recommend that this unit should be tested on the final PC configuration and operating system prior to installing it in series.

38 MM LASER STAINLESS STEEL TRACKBALL UNIT

DIMENSIONAL DRAWING



ORDER INFO

TSX38F8

Output : PS/2 & USB Combo

VER. 1.1