

25 MM SUPER COMPACT STAINLESS STEEL TRACKBALL UNIT

Vandalproof, IP65 sealed



This range uses the compact 25mm industrial grade trackball with black phenolic ball (TBS25 series) or with stainless steel ball (SBS25 series). Furtheron, the unit features a stainless steel carrier plate, a stainless steel trim protecting the trackball sealing and two stainless steel, sealed switches. A silicone sponge which seals the unit onto the customers' panel is part of the supply.

Its compact dimensions make these trackball units ideally suited for all harsh industrial applications, kiosk consoles, navigation controls, etc... where minimal mounting space is required while maintaining excellent vandalproof and good sealing characteristics.

GENERAL TECHNICAL SPECIFICATIONS

Sealing	: IP65 static
Carrier plate	: brushed stainless steel
Ball diameter	: 25 mm
Ball material	: phenolic resin (TBS25F2) / stainless steel (SBS25F2)
Dimensions	: 82 x 67 x 25 mm
Weight	: 0,2 kg / 0,25 kg
Lifetime	: >= 2 million ball revolutions
Tracking force	: nom. 50 grams (TBS25F2)/nom. 65 grams (SBS25F2)
Output	: PS/2 & USB Combo
Cable	: 1 shielded, straight 1,6 m long
Operating temperature range	: -10°C to +60°C
Storage temperature range	: -25°C to +80°C

Push button switches

Sealing	: IP65
Material	: stainless steel, brushed
Mechanical life	: 1 mil. cycles min
Contacts	: gold plated
Travel	: 1,3mm
Operating force	: 4N typ
Operating temperature	: -20°C to +60°C

CE

Compliant to EMC Directive 89/336/EEC for Electromagnetic Compatibility.
Low Voltage Directive 73/23/EEC not applicable for our trackballs.

CONNECTIVITY

These combo PS/2 & USB trackball units have a 1,6 meter long shielded straight cable ended by a USB type A plug.

An adaptor to PS/2 is added. No special device driver is needed, use standard available drivers of your operating system.

* Due to the increasing differences of the PS/2 mouse port specifications of the various PC manufacturers, we do recommend that this unit should be tested on the final PC configuration and operating system prior to installing it in series.

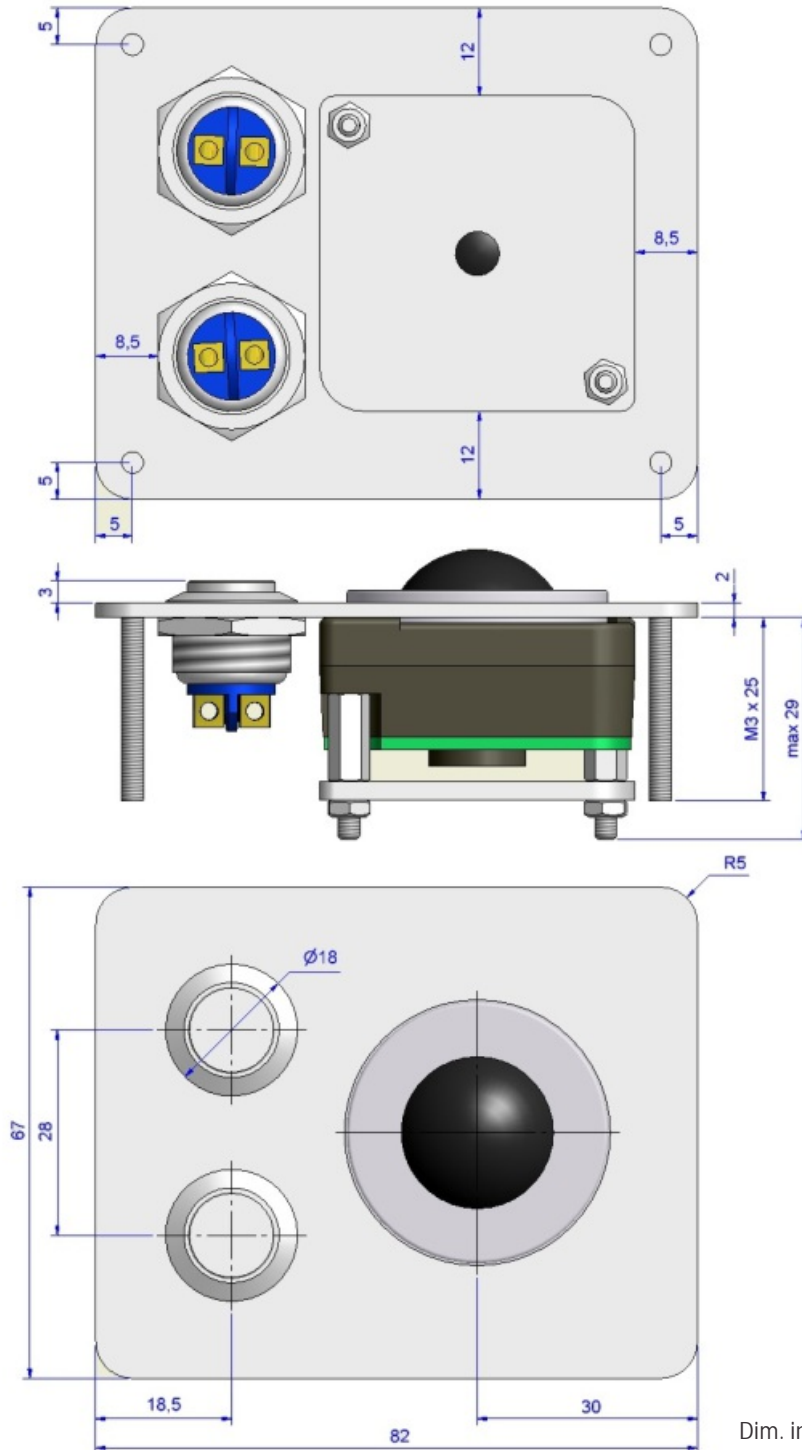
ORDER INFO

TBS25F2	Black phenolic resin ball
SBS25F2	Stainless steel ball

Output : PS/2 & USB Combo

25 MM SUPER COMPACT STAINLESS STEEL TRACKBALL UNIT
Vandalproof, IP65 sealed

DIMENSIONAL DRAWING



Dim. in mm

BASIC JAPAN

Basic Japan Co., Ltd. Sugunami Tokyo, Japan

Phone: +81-3-5335-7651

E-mail: mail@basicjp.com

URL: www.basicjp.com

The company reserves the right to alter without prior knowledge the specification or design of any standard product or service.

VER. 1.1