

103 KEY LED BACKLIT KEYBOARD WITH ERGONOMICAL TRACKBALL

IP67 sealing



Keyboard with trackball for the most demanding jobs.

This 103 key backlit keyboard has a multi-functional layout with separate numerical- and control keypads and integrates a waterproof IP68 sealed ergonomic trackball with scroll wheel.

Keyboard part

- Sealing to IP67
- User-friendly layout with separate numerical-, control- and function keypads
- USB connection

Trackball part

- IP68 sealed waterproof
- Ergonomical design
- 50 mm trackball with hall-effect scroll wheel
- Integrated left, middle and right switch functionality
- Removable ball for easy cleaning
- USB connection

Backlight

- High brightness LED's with fibre optic technology
- Low power LED's warrant for a long life
- No external power supply necessary, keyboard port power sufficient
- Dimmable backlighting at 8 levels by two dedicated keys
- White backlighting as standard, other colours on request
- Customized backlight control by an external DC voltage , PWM signal or potentiometer is available on request

Panel mount version

- Black anodised aluminium carrier
- Front panel mounting by means of M4 threaded studs.
- The rear side components are protected by a covering metal plate
- Dimensions / weight : 214 x 544 x 30/64 mm / 1,7 kg

Enclosed version

- The keyboard is mounted in a robust, high impact polystyrene (HIPS) enclosure
- Dimensions / weight : 217 x 547 x 63/122 mm / 3,2 kg

GENERAL TECHNICAL SPECIFICATIONS

KEYBOARD

Sealing	IP67 sealed
Keys	103 short travel switches, tactile feel switches with 0,3 mm travel and 2,55 N operating force
Output	1.6 m shielded USB cable
Power requirements	Directly from USB port
Operating temp.	-15°C to +60°C
Front layer	Black polyester front layer with embossed keys, scratch and chemical resistant

TRACKBALL MODULE

Ball diameter	Ø50.8mm (2")
Ball material	Epoxy resin, metallic grey
Tracking force	30-80 grams – PTFE seal
Ball load	200N (20Kg) maximum downward pressure for 2 minutes @ 20°C
Resolvable ball speed	30 IPS (inches per second)
Tracking engine	Infra-red optical navigation technology
Removable ring style/colour	Bayonet style locking ring/black

SCROLL WHEEL

Wheel diameter	Ø25mm
Wheel material	PC/ABS
Wheel colour	Grey – various colours available
Encoding technology	Hall effect
Detent-scrolling force	30 grams nominal

MOUSE BUTTONS

Switch actuation force	150 ± 50 grams force
------------------------	----------------------

CUSTOMIZATION

Possible customization includes adapted backlighting controls, addition of company logo or specific function keys, different layouts, different colour,...



103 KEY LED BACKLIT KEYBOARD WITH ERGONOMICAL TRACKBALL

IP67 sealing

DIMENSIONAL DRAWING

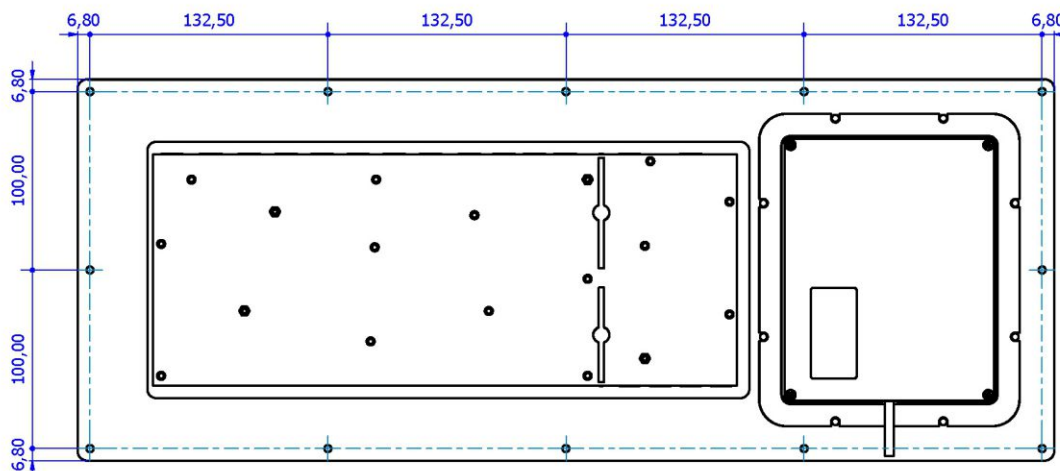
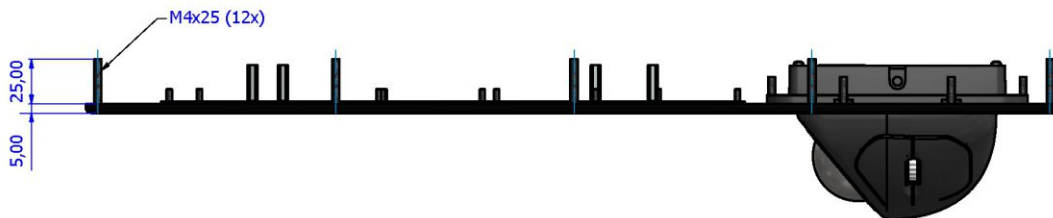
Panel mount version



COLOURS

Keyboard & Key Background : PANTONE Black 2 C 2X

Key edges & key legends : white Translucent



103 KEY LED BACKLIT KEYBOARD WITH ERGONOMICAL TRACKBALL

IP67 sealing

DIMENSIONAL DRAWING

Enclosed version



COLOURS

Keyboard & Key Background : PANTONE Black 2 C 2X
Key edges & key legends : white Translucent

ORDER INFO

LAYOUT	PANEL MOUNT	ENCLOSED
US Qwerty	KSME103 B1 USB-WLED	KSME103 S1 USB-WLED
RU Cyrillic	KSME103 B7 USB-WLED	KSME103 S7 USB-WLED
FR French Azerty	KSME103 B33 USB-WLED	KSME103 S33 USB-WLED
GE German Qwertz	KSME103 B49 USB-WLED	KSME103 S49 USB-WLED

BASIC JAPAN

Basic Japan Co., Ltd. Sugunami Tokyo, Japan
Phone: +81-3-5335-7651
E-mail: mail@basicjp.com
URL: www.basicjp.com

USB output
backlighting colour: W = white (standard); R = red, others on request.

VER. 1.0