

MSI170

Mariner Kit for use with the HP EliteDisplay E190i
19-inch LED backlit IPS monitor (Desk mount)



The HP EliteDisplay E190i 19-inch LED backlit IPS monitor is type-approved by all of the major international marine Classification Societies when it is installed in conjunction with our Mariner Kit MSI170.

The MSI170 Mariner Kit is designed to fit onto any horizontal surface and affords protection against the effects of vibration and shock experienced in the offshore marine environment. The combination has been type-tested against IACS Unified Requirement E10 and the relevant sections of IEC60945 (see below right for test details).

This type-approved combination of hardware and Mariner Kit can be used as the platform for your critical navigation, control, loading and general-purpose applications (please check individual type-approval certificates for any restrictions).

Please note that although the monitor does retain its standard functionality we do not offer an automatic dimming function and it can not therefore be used in the front of the bridge where it may affect night vision. However, the LED backlit IPS monitor can be used in any area where night vision is not an issue.

**“Steer the right course
with Mariner Systems”**



KEY FEATURES OF THE HP ELITEDISPLAY E190I 19-INCH LED BACKLIT IPS MONITOR:

- ◆ Experience great 178-degree viewing angles and stunning colour integrity from In-Plane Switching (IPS) technology. Accurately view sharp images and consistent colour from almost any angle – with less distortion than conventional TN (Twisted Nematic) panels
- ◆ Get crisp, clear content and video from the high 3,000,000:1 dynamic contrast ratio and fast 8 ms response time
- ◆ Native 1280 x 1024 resolution with over 16 million colours
- ◆ Easily connect media and devices to the monitor with convenient VGA, DVI, and DisplayPort inputs and the integrated USB hub
- ◆ The on-screen display button controls on the monitor front allow quick and easy adjustment of brightness, contrast and numerous other settings
- ◆ Display Assistant software offers an easy step-by-step process for obtaining the best overall picture quality
- ◆ Reduce power consumption and help lower your costs with an intelligent, energy-efficient design that is ENERGY STAR® qualified, EPEAT® Gold registered and TCO 6.0 certified
- ◆ The display also includes mercury-free display backlights, low-halogen components and arsenic-free display glass
- ◆ 98.4% recyclable when properly disposed of at end of life
- ◆ Compliant with the Restrictions of Hazardous Substances (RoHS) directive – 2002/95/EC
- ◆ Designed to comply with the Waste Electrical and Electronic Equipment (WEEE) directive – 2002/96/EC
- ◆ Three-year limited parts and repair labour on-site warranty

This Mariner system is type-tested against the consolidated, 'worst-case' requirements of all the major international marine Classification Societies:

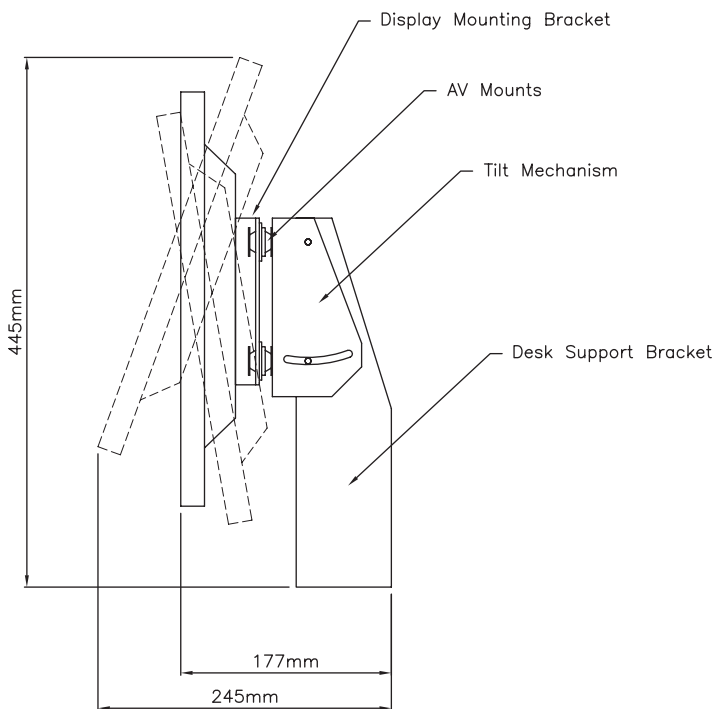
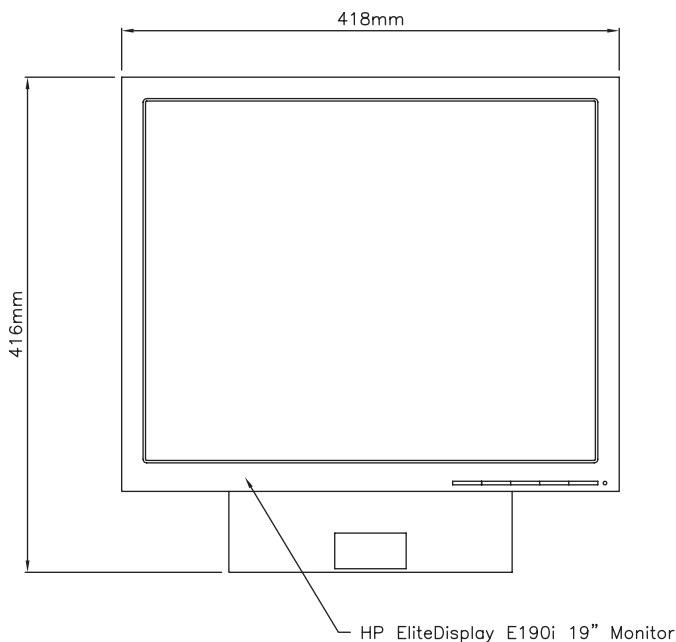
ABS, BV, CCS, DNV, GL, KR, LR, NKK, PRS, RINA

Type-tests included on the test programme are as follows:

- > Vibration, Shock, Static and Dynamic Inclination
- > Dry & Damp Heat, Low Temperature
- > Acoustic Noise, Compass Safe Distance
- > High Voltage, Power Supply Variation & Power Supply Failure
- > Conducted LF & RF, Electromagnetic Field
- > Radiated & Conducted Emissions, Electrostatic Discharge
- > Insulation Resistance, Burst/Fast Transients
- > Surge Immunity, Access to Dangerous Voltages

MS1170

Mariner Kit for use with the HP EliteDisplay E190i 19-inch LED backlit IPS monitor (Desk mount)



Mariner Systems (UK) Limited

Oaklands Park • Wokingham • Berkshire • RG41 2FD • United Kingdom
 Telephone: +44 (0) 118 979 6020 • Facsimile: +44 (0) 118 979 6021
 sales@marinersystems.com • www.marinersystems.com

OPERATING GUIDELINES:

Although all our equipment is tested against extreme environmental conditions for the purposes of marine type-approval, installation should take into account the following guidelines:

- > Keep the monitor away from excessive moisture, direct moisture and the extremes of heat and cold to ensure, where possible, that the unit is within the following operating/non-operating ranges:

	Operating	Non-operating
Temperature	+0° to +40°C (+32° to +104°F)	-20° to +60°C (-4° to +140°F)
Humidity	15% to 80% (non-condensing)	5% to 95% (38.7°C max wet-bulb)

- > Leave clearance on all vented sides of the monitor to permit the required airflow
- > Never restrict airflow into the monitor by blocking any vents or air intakes
- > If the monitor is to be operated within a separate enclosure, suitable ventilation should be provided

By following these guidelines you will maximise the life of your equipment and minimise service costs.

STATISTICS

Overall Fitted Dimensions (max)	418 x 445 x 245 mm (w x h x d)
Weight (Mariner Kit only)	1.5 kg
Weight (including hardware)	4.5 kg
Panel Type	IPS (In-Plane Switching) with LED backlight
Viewable Image Area (diagonal)	18.9 in (48 cm)
Panel Active Area (w x h)	14.75 x 11.8 in (37.47 x 29.98 cm)
Aspect Ratio	5:4
Native Resolution	1280 x 1024 at 60 Hz
Viewing Angle (typical)	Up to 178 degrees horizontal and 178 degrees vertical (10:1 contrast ratio)
Brightness (typical)	250 nits (cd/m ²)
Contrast Ratio (typical)	1000:1
Dynamic Contrast Ratio (typical)	3,000,000:1
Response Time (typical)	8 ms (grey to grey)
Pixel Pitch	0.2928 mm
Backlight Lamp Life (to half brightness)	30,000 hours
Buttons or Switches	Power on/off; 4-button OSD
Plug and Play	Yes
Input Connectors	VGA, DVI-D and DisplayPort connectors
USB 2.0 Hub	Self-powered; two ports
Power Source	100-240 V at 50/60 Hz
Typical Power Consumption	25 W
Maximum Power Consumption	28 W
Mariner Kit Tilt Range	10 degrees down; 20 degrees up

BASIC JAPAN

Basic Japan Co., Ltd. Sugunami Tokyo, Japan
 Phone: +81-3-5335-7651
 E-mail: mail@basicjp.com
 URL: www.basicjp.com

MSI175

Mariner Kit for use with the HP EliteDisplay E190i
19-inch LED backlit IPS monitor (Wall mount)



The HP EliteDisplay E190i 19-inch LED backlit IPS monitor is type-approved by all of the major international marine Classification Societies when it is installed in conjunction with our Mariner Kit MSI175.

The MSI175 Mariner Kit is designed to fit onto any vertical surface and affords protection against the effects of vibration and shock experienced in the offshore marine environment. The combination has been type-tested against IACS Unified Requirement E10 and the relevant sections of IEC60945 (see below right for test details).

This type-approved combination of hardware and Mariner Kit can be used as the platform for your critical navigation, control, loading and general-purpose applications (please check individual type-approval certificates for any restrictions).

Please note that although the monitor does retain its standard functionality we do not offer an automatic dimming function and it can not therefore be used in the front of the bridge where it may affect night vision. However, the LED backlit IPS monitor can be used in any area where night vision is not an issue.

“Proven solutions for a demanding environment”



KEY FEATURES OF THE HP ELITEDISPLAY E190i 19-INCH LED BACKLIT IPS MONITOR:

- ◆ Experience great 178-degree viewing angles and stunning colour integrity from In-Plane Switching (IPS) technology. Accurately view sharp images and consistent colour from almost any angle – with less distortion than conventional TN (Twisted Nematic) panels
- ◆ Get crisp, clear content and video from the high 3,000,000:1 dynamic contrast ratio and fast 8 ms response time
- ◆ Native 1280 x 1024 resolution with over 16 million colours
- ◆ Easily connect media and devices to the monitor with convenient VGA, DVI, and DisplayPort inputs and the integrated USB hub
- ◆ The on-screen display button controls on the monitor front allow quick and easy adjustment of brightness, contrast and numerous other settings
- ◆ Display Assistant software offers an easy step-by-step process for obtaining the best overall picture quality
- ◆ Reduce power consumption and help lower your costs with an intelligent, energy-efficient design that is ENERGY STAR® qualified, EPEAT® Gold registered and TCO 6.0 certified
- ◆ The display also includes mercury-free display backlights, low-halogen components and arsenic-free display glass
- ◆ 98.4% recyclable when properly disposed of at end of life
- ◆ Compliant with the Restrictions of Hazardous Substances (RoHS) directive – 2002/95/EC
- ◆ Designed to comply with the Waste Electrical and Electronic Equipment (WEEE) directive – 2002/96/EC
- ◆ Three-year limited parts and repair labour on-site warranty

This Mariner system is type-tested against the consolidated, 'worst-case' requirements of all the major international marine Classification Societies:

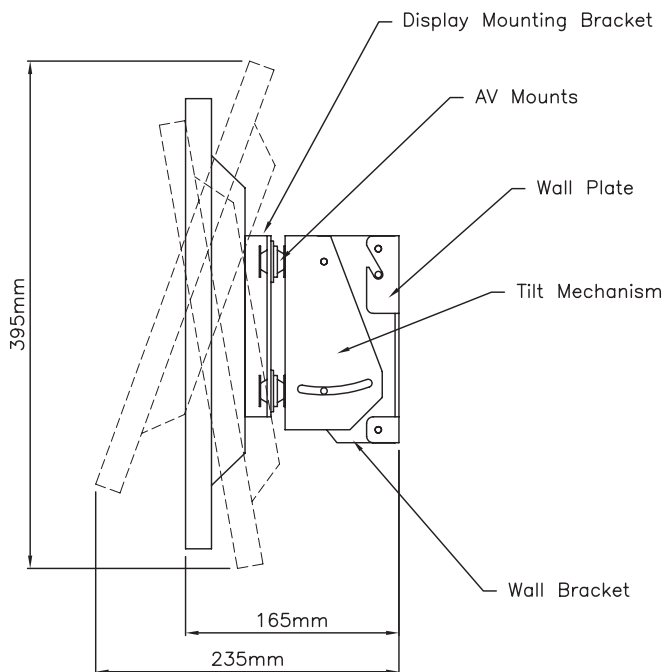
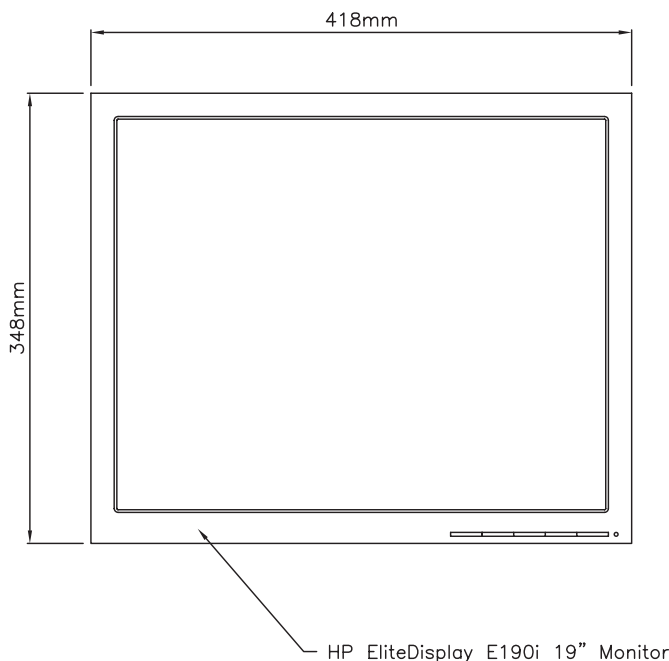
ABS, BV, CCS, DNV, GL, KR, LR, NKK, PRS, RINA

Type-tests included on the test programme are as follows:

- > Vibration, Shock, Static and Dynamic Inclination
- > Dry & Damp Heat, Low Temperature
- > Acoustic Noise, Compass Safe Distance
- > High Voltage, Power Supply Variation & Power Supply Failure
- > Conducted LF & RF, Electromagnetic Field
- > Radiated & Conducted Emissions, Electrostatic Discharge
- > Insulation Resistance, Burst/Fast Transients
- > Surge Immunity, Access to Dangerous Voltages

MS1175

Mariner Kit for use with the HP EliteDisplay E190i 19-inch LED backlit IPS monitor (Wall mount)



Mariner Systems (UK) Limited

Oaklands Park • Wokingham • Berkshire • RG41 2FD • United Kingdom
 Telephone: +44 (0) 118 979 6020 • Facsimile: +44 (0) 118 979 6021
 sales@marinersystems.com • www.marinersystems.com

OPERATING GUIDELINES:

Although all our equipment is tested against extreme environmental conditions for the purposes of marine type-approval, installation should take into account the following guidelines:

- > Keep the monitor away from excessive moisture, direct moisture and the extremes of heat and cold to ensure, where possible, that the unit is within the following operating/non-operating ranges:

	Operating	Non-operating
Temperature	+0° to +40°C (+32° to +104°F)	-20° to +60°C (-4° to +140°F)
Humidity	15% to 80% (non-condensing)	5% to 95% (38.7°C max wet-bulb)

- > Leave clearance on all vented sides of the monitor to permit the required airflow
- > Never restrict airflow into the monitor by blocking any vents or air intakes
- > If the monitor is to be operated within a separate enclosure, suitable ventilation should be provided

By following these guidelines you will maximise the life of your equipment and minimise service costs.

STATISTICS

Overall Fitted Dimensions (max)	418 x 395 x 235 mm (w x h x d)
Weight (Mariner Kit only)	1.2 kg
Weight (including hardware)	4.2 kg
Panel Type	IPS (In-Plane Switching) with LED backlight
Viewable Image Area (diagonal)	18.9 in (48 cm)
Panel Active Area (w x h)	14.75 x 11.8 in (37.47 x 29.98 cm)
Aspect Ratio	5:4
Native Resolution	1280 x 1024 at 60 Hz
Viewing Angle (typical)	Up to 178 degrees horizontal and 178 degrees vertical (10:1 contrast ratio)
Brightness (typical)	250 nits (cd/m ²)
Contrast Ratio (typical)	1000:1
Dynamic Contrast Ratio (typical)	3,000,000:1
Response Time (typical)	8 ms (grey to grey)
Pixel Pitch	0.2928 mm
Backlight Lamp Life (to half brightness)	30,000 hours
Buttons or Switches	Power on/off; 4-button OSD
Plug and Play	Yes
Input Connectors	VGA, DVI-D and DisplayPort connectors
USB 2.0 Hub	Self-powered; two ports
Power Source	100-240 V at 50/60 Hz
Typical Power Consumption	25 W
Maximum Power Consumption	28 W
Mariner Kit Tilt Range	10 degrees down; 20 degrees up

BASIC JAPAN

Basic Japan Co., Ltd. Sugunami Tokyo, Japan
 Phone: +81-3-5335-7651
 E-mail: mail@basicjp.com
 URL: www.basicjp.com

MSI 180

Mariner Kit for use with the HP EliteDisplay E190i
19-inch LED backlit IPS monitor (Console mount)



The HP EliteDisplay E190i 19-inch LED backlit IPS monitor is type-approved by all of the major international marine Classification Societies when it is installed in conjunction with our Mariner Kit MSI 180.

The MSI 180 Mariner Kit is designed to fit into a console cut-out and affords protection against the effects of vibration and shock experienced in the offshore marine environment. The combination has been type-tested against IACS Unified Requirement E10 and the relevant sections of IEC60945 (see below right for test details).

This type-approved combination of hardware and Mariner Kit can be used as the platform for your critical navigation, control, loading and general purpose applications (please check individual type-approval certificates for any restrictions).

Please note that although the monitor does retain its standard functionality we do not offer an automatic dimming function and it can not therefore be used in the front of the bridge where it may affect night vision. However, the LED backlit IPS monitor can be used in any area where night vision is not an issue.

**“World-leading type-approved
computer hardware”**



KEY FEATURES OF THE HP ELITEDISPLAY E190I 19-INCH LED BACKLIT IPS MONITOR:

- ◆ Experience great 178-degree viewing angles and stunning colour integrity from In-Plane Switching (IPS) technology. Accurately view sharp images and consistent colour from almost any angle – with less distortion than conventional TN (Twisted Nematic) panels
- ◆ Get crisp, clear content and video from the high 3,000,000:1 dynamic contrast ratio and fast 8 ms response time
- ◆ Native 1280 x 1024 resolution with over 16 million colours
- ◆ Easily connect media and devices to the monitor with convenient VGA, DVI, and DisplayPort inputs and the integrated USB hub
- ◆ The on-screen display button controls on the monitor front allow quick and easy adjustment of brightness, contrast and numerous other settings
- ◆ Display Assistant software offers an easy step-by-step process for obtaining the best overall picture quality
- ◆ Reduce power consumption and help lower your costs with an intelligent, energy-efficient design that is ENERGY STAR® qualified, EPEAT® Gold registered and TCO 6.0 certified
- ◆ The display also includes mercury-free display backlights, low-halogen components and arsenic-free display glass
- ◆ 98.4% recyclable when properly disposed of at end of life
- ◆ Compliant with the Restrictions of Hazardous Substances (RoHS) directive – 2002/95/EC
- ◆ Designed to comply with the Waste Electrical and Electronic Equipment (WEEE) directive – 2002/96/EC
- ◆ Three-year limited parts and repair labour on-site warranty

This Mariner system is type-tested against the consolidated, 'worst-case' requirements of all the major international marine Classification Societies:

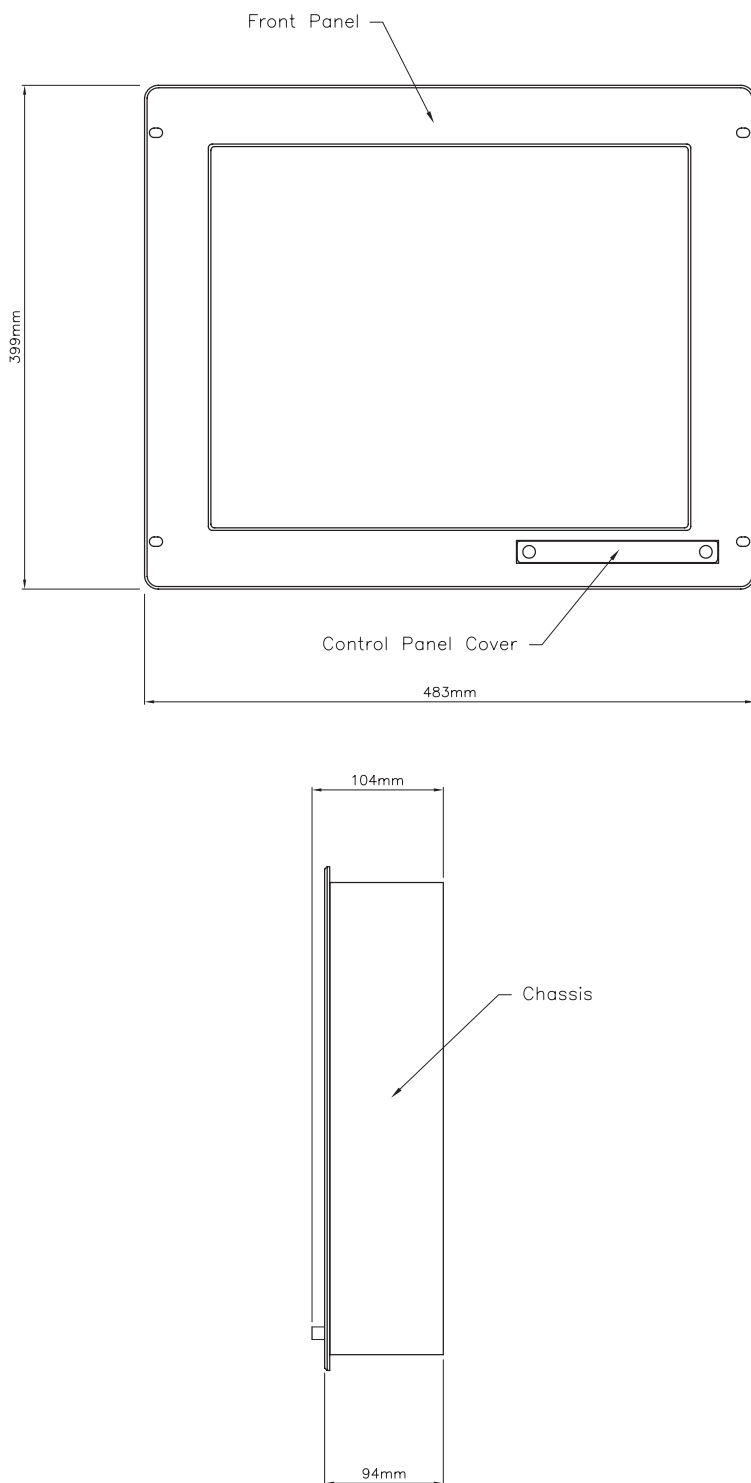
ABS, BV, CCS, DNV, GL, KR, LR, NKK, PRS, RINA

Type-tests included on the test programme are as follows:

- > Vibration, Shock, Static and Dynamic Inclination
- > Dry & Damp Heat, Low Temperature
- > Acoustic Noise, Compass Safe Distance
- > High Voltage, Power Supply Variation & Power Supply Failure
- > Conducted LF & RF, Electromagnetic Field
- > Radiated & Conducted Emissions, Electrostatic Discharge
- > Insulation Resistance, Burst/Fast Transients
- > Surge Immunity, Access to Dangerous Voltages

MS1180

Mariner Kit for use with the HP EliteDisplay E190i 19-inch LED backlit IPS monitor (Console mount)



Mariner Systems (UK) Limited

Oaklands Park • Wokingham • Berkshire • RG41 2FD • United Kingdom
Telephone: +44 (0) 118 979 6020 • Facsimile: +44 (0) 118 979 6021
sales@marinersystems.com • www.marinersystems.com

OPERATING GUIDELINES:

Although all our equipment is tested against extreme environmental conditions for the purposes of marine type-approval, installation should take into account the following guidelines:

- > Keep the monitor away from excessive moisture, direct moisture and the extremes of heat and cold to ensure, where possible, that the unit is within the following operating/non-operating ranges:

	Operating	Non-operating
Temperature	+0° to +40°C (+32° to +104°F)	-20° to +60°C (-4° to +140°F)
Humidity	15% to 80% (non-condensing)	5% to 95% (38.7°C max wet-bulb)

- > Leave clearance on all vented sides of the monitor to permit the required airflow
- > Never restrict airflow into the monitor by blocking any vents or air intakes
- > If the monitor is to be operated within a separate enclosure, suitable ventilation should be provided

By following these guidelines you will maximise the life of your equipment and minimise service costs.

STATISTICS

Overall Fitted Dimensions (max)	483 x 399 x 104 mm (w x h x d)
Weight (Mariner Kit only)	5.5 kg
Weight (including hardware)	8.5 kg
Panel Type	IPS (In-Plane Switching) with LED backlight
Viewable Image Area (diagonal)	18.9 in (48 cm)
Panel Active Area (w x h)	14.75 x 11.8 in (37.47 x 29.98 cm)
Aspect Ratio	5:4
Native Resolution	1280 x 1024 at 60 Hz
Viewing Angle (typical)	Up to 178 degrees horizontal and 178 degrees vertical (10:1 contrast ratio)
Brightness (typical)	250 nits (cd/m ²)
Contrast Ratio (typical)	1000:1
Dynamic Contrast Ratio (typical)	3,000,000:1
Response Time (typical)	8 ms (grey to grey)
Pixel Pitch	0.2928 mm
Backlight Lamp Life (to half brightness)	30,000 hours
Buttons or Switches	Power on/off; 4-button OSD
Plug and Play	Yes
Input Connectors	VGA, DVI-D and DisplayPort connectors
USB 2.0 Hub	Self-powered; two ports
Power Source	100-240 V at 50/60 Hz
Typical Power Consumption	25 W
Maximum Power Consumption	28 W
Mariner Kit Tilt Range	Not applicable

BASIC JAPAN

Basic Japan Co., Ltd. Sugunami Tokyo, Japan
Phone: +81-3-5335-7651
E-mail: mail@basicjp.com
URL: www.basicjp.com